



SINCE 1976

SHOWFOU PUMP

STO · STO-T : Auto-setter type sewage pump

FO · FO-T : Floor mount type sewage pump

STO-C : Auto-setter type cutter pump

FO-C : Floor mount type cutter pump

修附電機



ISO 9001

BSMI

標檢局

ISO-9001/CNS12681

STO·STO-T
自動著脫幫浦

FO·FO-T
設備廢水幫浦

STO-C
切刀型自動著脫幫浦

FO-C
切刀型設備廢水幫浦



STO•FO TYPE 污物廢水幫浦 SEWAGE PUMPS

修附沉水式著脫幫浦不但解決您污物廢水處理的問題
更大大簡化未來幫浦維修及保養的工作

Pumps Designed for Sewage Application and Maintenance Simplified by Automatic Connecting Device

■ FEATURES 特點

- EPOXY Cable Sealing Base
電纜線防水(EPOXY)樹脂基座

Waterproof cable prevent water infiltration, cable ends sealed with epoxy resin, and lead wires are partially tripped off for perfect resin sealing. Triple protection for the motor against water penetration.



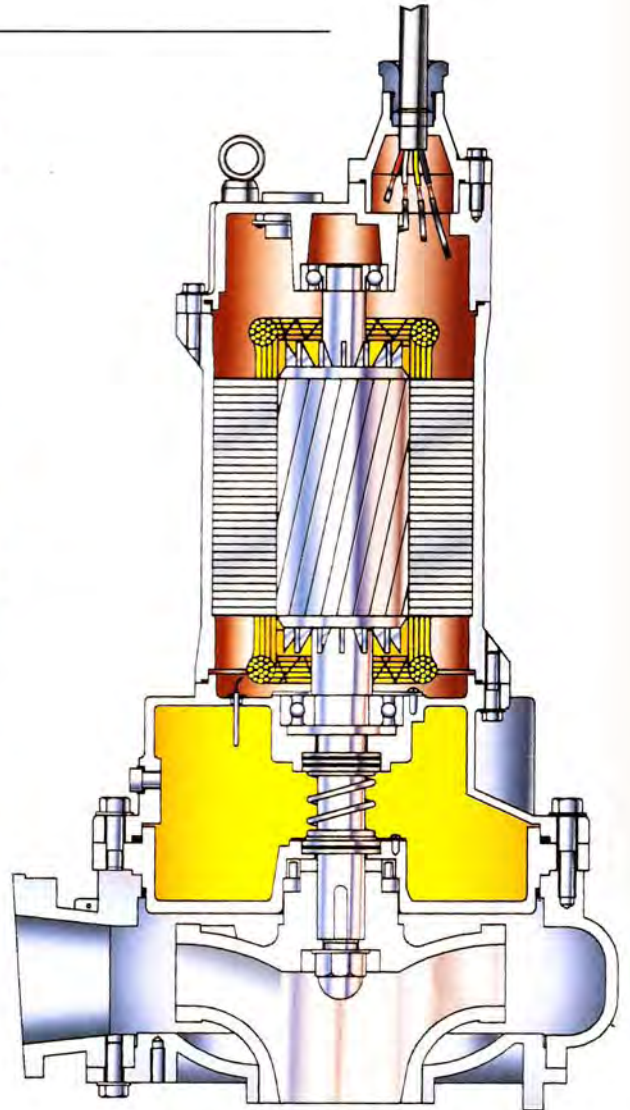
- Built-in Motor Protector
馬達配備電流保護開關

Every STO type are equipped with a self-reset circle thermal protector to prevent over-loading, locking of impeller, and scorch damage to the motor from phase failure.



- SiC Mechanical Seal
採用矽碳鋼機械軸封

Equipped with double mechanical seals and adopted with heat-and-corrosion-resistant silicon carbide mechanical seal for preventing the motor from water infiltration.



■ APPLICATIONS 用途

- Influent pumping in combined treatment plants.
- Influent pumping in industrial waste water treatment plants.
- Sewage treatment, human waste treatment.
- Sewage waste water and solid treatment in various factories and building sites.
- Pump house in sewer system.
- 一般家庭、學校、大樓之化糞池或淨水槽之排水。
- 醫院、衛生所、餐廳以及廚房之污水排放。
- 地下道廢水處理之排放。
- 產業化工廠、食品加工廠之污水排放。
- 其他含有固狀物、雜物等流體排送。






■ MAINTENANCE SIMPLIFIED BY AUTOMATIC CONNECTING DEVICE
 利用自動著脫接合裝置大大簡化未來幫浦維修保養的工作

The automatic connecting device performs connection / disconnection between a pump and piping only by lifting the pump down / up along guide pipes, so the maintenance and inspection work can be done without entering the pump sump.

自動著脫幫浦的安裝，幫浦本體可利用吊鍊順著導桿之升降，與管路結合或脫離。所以安裝或維修人員不必進入廢水或化糞池內即可在池外進行安裝、維修或定期維護的工作，既安全又方便，而且不必忍受池內的惡臭味。

PICTURES OF ALL MODELS 各機種實體照片

STO 自動著脫幫浦 AUTO - SETTER TYPE SEWAGE PUMP
 FO 設備廢水幫浦 FLOOR MOUNT TYPE SEWAGE PUMP

<p style="text-align: center;">STO</p> 	<p style="text-align: center;">FO</p> 	
<p>Output : 1 · 2 HP Motor : 2 Poles · E Insulation class Non-clog Impeller :</p>  <p style="text-align: center;">Dual-blade semi-open type</p>	<p>Output : 3 · 5 HP Motor : 4 Poles · B Insulation class Non-clog Impeller :</p>  <p style="text-align: center;">Single-blade semi-open type</p>	<p>Output : 7 1/2~20 HP Motor : 4 Poles · B Insulation class Non-clog Impeller :</p>  <p style="text-align: center;">Dual-blade closed type</p>

STO-T 自動著脫幫浦 AUTO - SETTER TYPE SEWAGE PUMP
 FO-T 設備廢水幫浦 FLOOR MOUNT TYPE SEWAGE PUMP

<p style="text-align: center;">STO-T</p> 	<p style="text-align: center;">FO-T</p> 	<p>Output : 1~10 HP Motor : 2 Poles · E Insulation class Non-clog Impeller :</p>  <p style="text-align: center;">Dual-blade semi-open type</p>
---	--	---

■ SPECIFICATIONS 性能規格表

STO・STO-T 自動著脫幫浦 AUTO - SETTER TYPE SEWAGE PUMP
 FO・FO-T 設備廢水幫浦 FLOOR MOUNT TYPE SEWAGE PUMP

頻率	型式		電動機					抽水機				葉輪		電纜		重量	
			MOTOR					PUMP				IMPELLER					
	Hz	Auto-setter	Floor mount	馬力 Power	電壓 Volt	相數 Phase	迴轉數 SS Revolution	起動方式 Starting	口徑 BORE	標準揚程 Total Head	標準水量 Flow	最高揚程 Max. Head	最大水量 Max. Flow	通過粒徑 Solid Passage	No. of Vanes	CABLE	WEIGHT(kg)
50	STO-112	FO-112	0.75(1)	200-240	1	3000	Capacitor	2"(50)	7	0.21	10	0.42	25	2	1.25 ² x 6	36	30
	STO-132	FO-132		200-480	3		D.O.L.										
	STO-212	FO-212	1.5(2)	200-240	1	3000	Capacitor	3"(80)	7	0.5	14	0.72	28	2	3.5 ² x 10	78	56
	STO-232	FO-232		200-480	3		D.O.L.									74	50
	STO-332	FO-332	2.2(3)	200-480	3	1500	D.O.L.	3"(80)	8	0.5	14	1.3	40 x 50	1	3.5 ² x 10	115	97
	STO-532	FO-532	3.7(5)	200-480	3	1500	D.O.L.	4"(100)	8	1.0	17	2.0	53 x 50	1	3.5 ² x 10	122	97
	STO-732	FO-732	5.5(7 1/2)	200-480	3	1500	D.O.L.	4"(100)	14	1.0	23	2.3	88 x 46	2	5.5 ² x 10	177	152
	STO-1032	FO-1032	7.5(10)	200-480	3	1500	D.O.L.	4"(100)	19	1.0	26	2.3	88 x 46	2	5.5 ² x 10	197	172
	STO-1532	FO-1532	11(15)	200-480	3	1500	Star-delta	6"(150)	14	2.0	22	4.5	117 x 48	2	5.5 ² x 10	302	253
	STO-2032	FO-2032	15(20)	200-480	3	1500	Star-delta	6"(150)	20	2.0	30	5.0	117 x 50	2	8.0 ² x 10	312	263
60	STO-112	FO-112	0.75(1)	200-240	1	3600	Capacitor	2"(50)	8	0.21	10	0.45	25	2	1.25 ² x 6	36	30
	STO-132	FO-132		200-480	3		D.O.L.										
	STO-212	FO-212	1.5(2)	200-240	1	3600	Capacitor	3"(80)	8	0.5	14	0.72	28	2	3.5 ² x 10	78	56
	STO-232	FO-232		200-480	3		D.O.L.									74	50
	STO-332	FO-332	2.2(3)	200-480	3	1800	D.O.L.	3"(80)	10	0.5	14	1.4	40 x 47	1	3.5 ² x 10	115	97
	STO-532	FO-532	3.7(5)	200-480	3	1800	D.O.L.	4"(100)	10	1.0	18	2.0	53 x 47	1	3.5 ² x 10	122	97
	STO-732	FO-732	5.5(7 1/2)	200-480	3	1800	D.O.L.	4"(100)	16	1.0	24	2.4	88 x 46	2	5.5 ² x 10	177	152
	STO-1032	FO-1032	7.5(10)	200-480	3	1800	D.O.L.	4"(100)	20	1.0	30	2.6	88 x 46	2	5.5 ² x 10	197	172
	STO-1532	FO-1532	11(15)	200-480	3	1800	Star-delta	6"(150)	16	2.0	24	4.8	117 x 48	2	5.5 ² x 10	302	253
	STO-2032	FO-2032	15(20)	200-480	3	1800	Star-delta	6"(150)	22	2.0	34	5.0	117 x 50	2	8.0 ² x 10	312	263
50	STO-112T	FO-112T	0.75(1)	200-240	1	3000	Capacitor	2"(50)	7	0.21	10	0.42	25	2	2.0 ² x 6	35	30
	STO-132T	FO-132T		200-480	3		D.O.L.										
	STO-212T	FO-212T	1.5(2)	200-240	1	3000	Capacitor	3"(80)	7	0.5	14	0.7	28	2	5.5 ² x 10	75	56
	STO-232T	FO-232T		200-480	3		D.O.L.									69	50
	STO-332T	FO-332T	2.2(3)	200-480	3	3000	D.O.L.	3"(80)	8	0.5	16	0.7	28	2	5.5 ² x 10	78	59
	STO-532T	FO-532T	3.7(5)	200-480	3	3000	D.O.L.	4"(100)	2	1.0	26	1.0	32	2	5.5 ² x 10	86	61
	STO-732T	FO-732T	5.5(7 1/2)	200-480	3	3000	D.O.L.	4"(100)	6	1.0	22	1.2	26	2	5.5 ² x 10	114	90
	STO-1032T	FO-1032T	7.5(10)	200-480	3	3000	D.O.L.	4"(100)	12	1.0	30	1.6	26	2	5.5 ² x 10	125	101
60	STO-112T	FO-112T	0.75(1)	200-240	1	3600	Capacitor	2"(50)	8	0.21	10	0.45	25	2	2.0 ² x 6	35	30
	STO-132T	FO-132T		200-480	3		D.O.L.										
	STO-212T	FO-212T	1.5(2)	200-240	1	3600	Capacitor	3"(80)	8	0.5	14	0.8	28	2	5.5 ² x 10	75	56
	STO-232T	FO-232T		200-480	3		D.O.L.									69	50
	STO-332T	FO-332T	2.2(3)	200-480	3	3600	D.O.L.	3"(80)	9	0.5	18	0.8	28	2	5.5 ² x 10	78	59
	STO-532T	FO-532T	3.7(5)	200-480	3	3600	D.O.L.	4"(100)	2	1.0	26	1.0	32	2	5.5 ² x 10	86	61
	STO-732T	FO-732T	5.5(7 1/2)	200-480	3	3600	D.O.L.	4"(100)	10	1.0	26	1.4	26	2	5.5 ² x 10	114	90
	STO-1032T	FO-1032T	7.5(10)	200-480	3	3600	D.O.L.	4"(100)	13	1.0	30	1.6	26	2	5.5 ² x 10	125	101

STANDARD ACCESSORIES 標準配件

for STO • STO-T Type

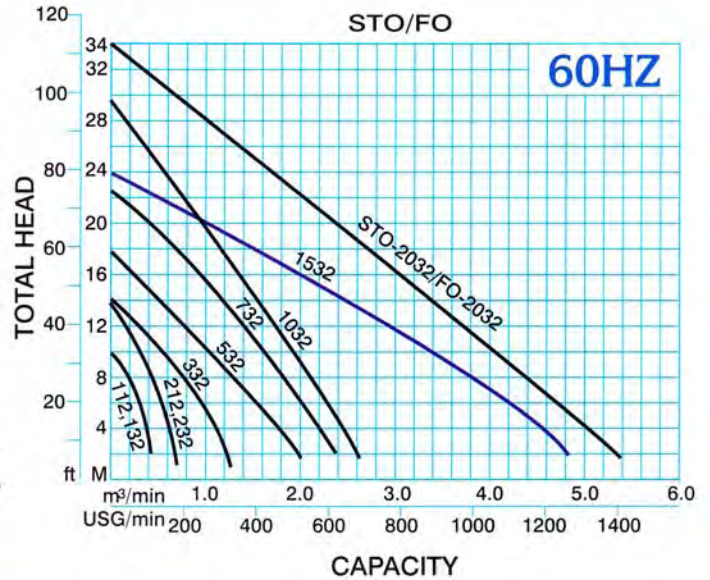
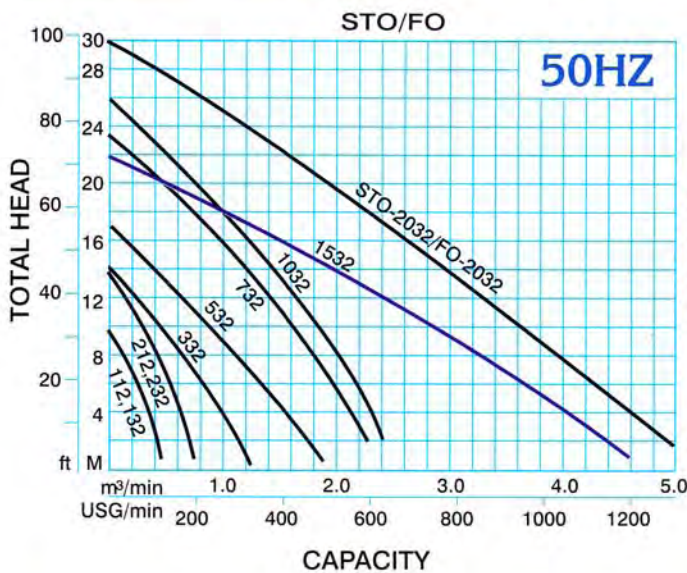
- Upper Guide Support 固定桿托架1set
- Guide Connector 脫架固定鉤1set
- Lifting Chain (with shackle) 吊用鍊條1pc
- Duck Foot Bend 脫架本座1set

for FO • FO-T Type

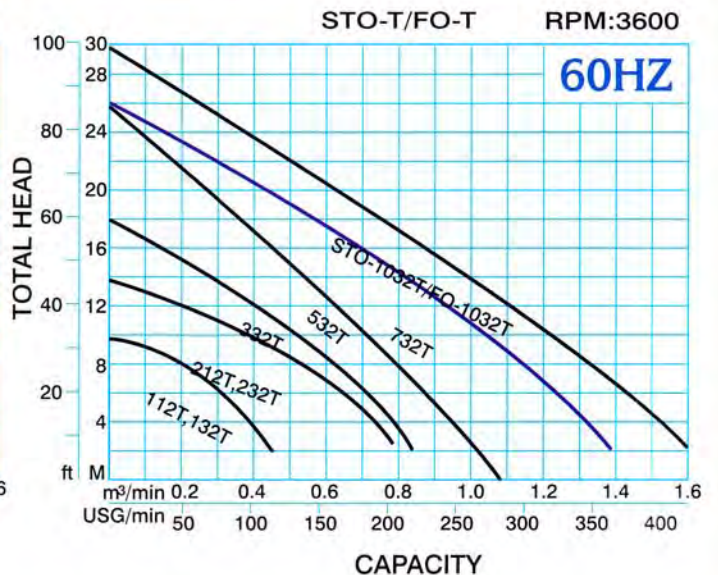
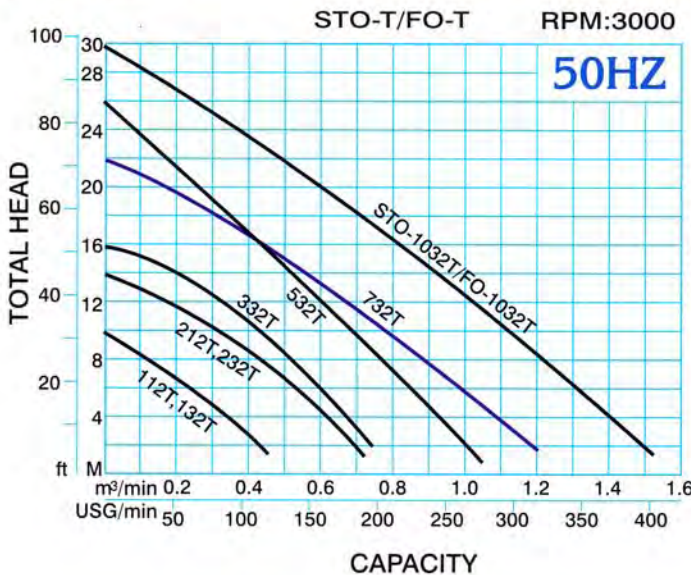
- Connecting Elbow 彎管1set

Parts no	Discharge bore		2"(50mm)	3"(80mm)	4"(100mm)	6"(150mm)	Material
	Description						
126	Upper Guide Support	固定桿托架	1.5 kg	2 kg	4.5 kg	6 kg	Cast iron
125	Guide Connector	脫架固定鉤	2.7 kg	3.6 kg	4.5 kg	9.5 kg	Cast iron
97	Lifting Chain (with shackle)	吊用鍊條	4 m	4 m	4 m	4 m	Structure steel
129	Duck Foot Bend	脫架本座	12 kg	30 kg	33 kg	64 kg	Cast iron
143	Connecting Elbow	彎管	---	15 kg	15 kg	30 kg	Cast iron

STO / FO PERFORMANCE CURVE 性能曲線圖



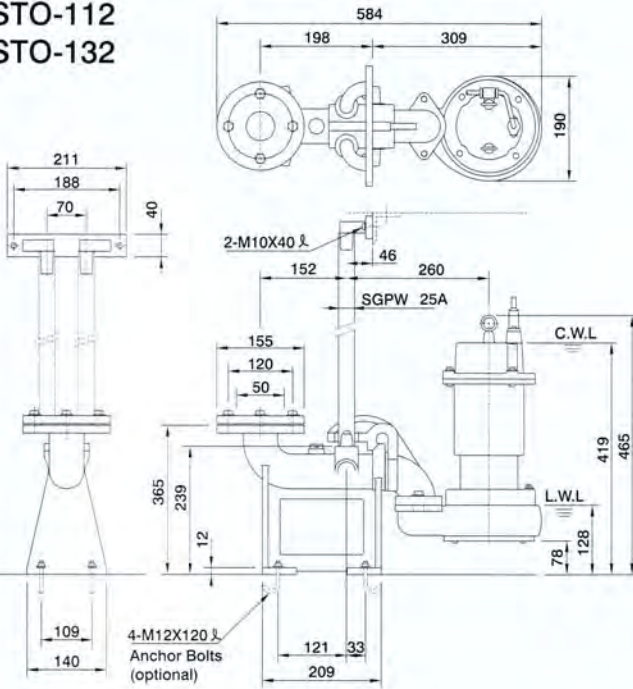
STO-T / FO-T PERFORMANCE CURVE 性能曲線圖



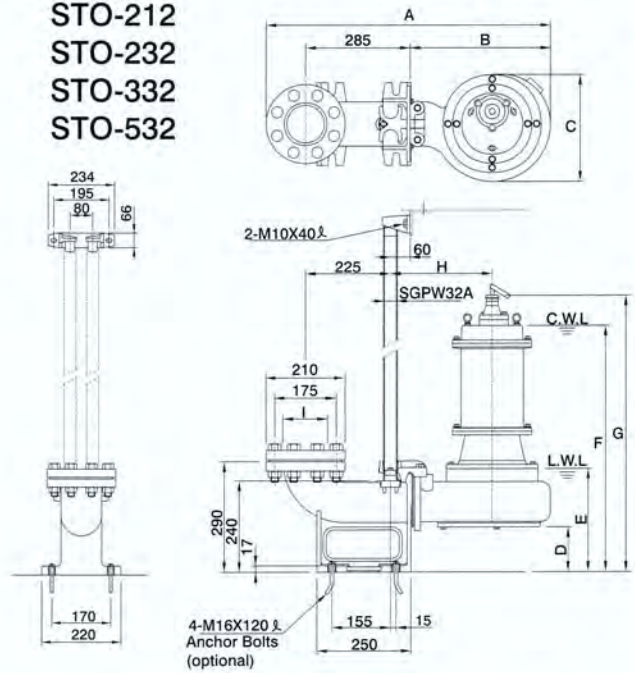
■ STO 自動著脫幫浦外型尺寸圖 DIMENSIONS

C.W.L. : Continuous running Water Level 連續運轉水位
 L.W.L. : Lowest running Water Level 運轉最低水位

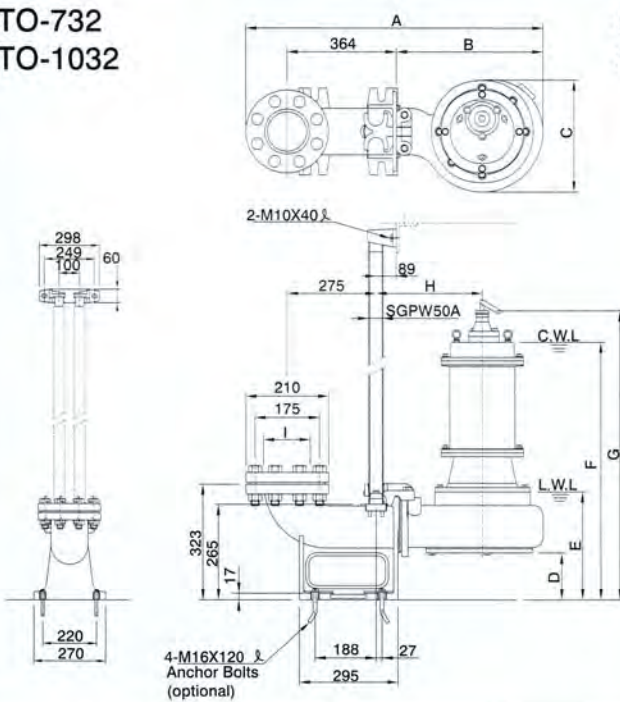
STO-112
STO-132



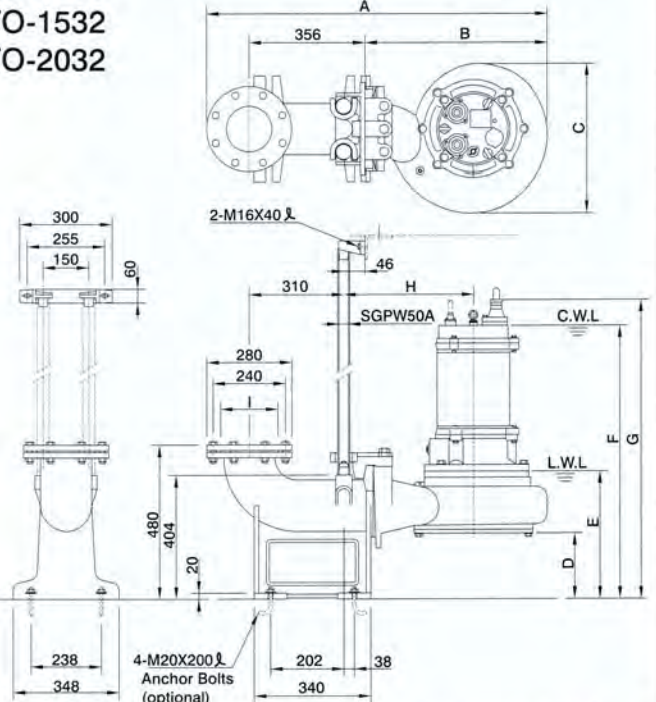
STO-212
STO-232
STO-332
STO-532



STO-732
STO-1032



STO-1532
STO-2032

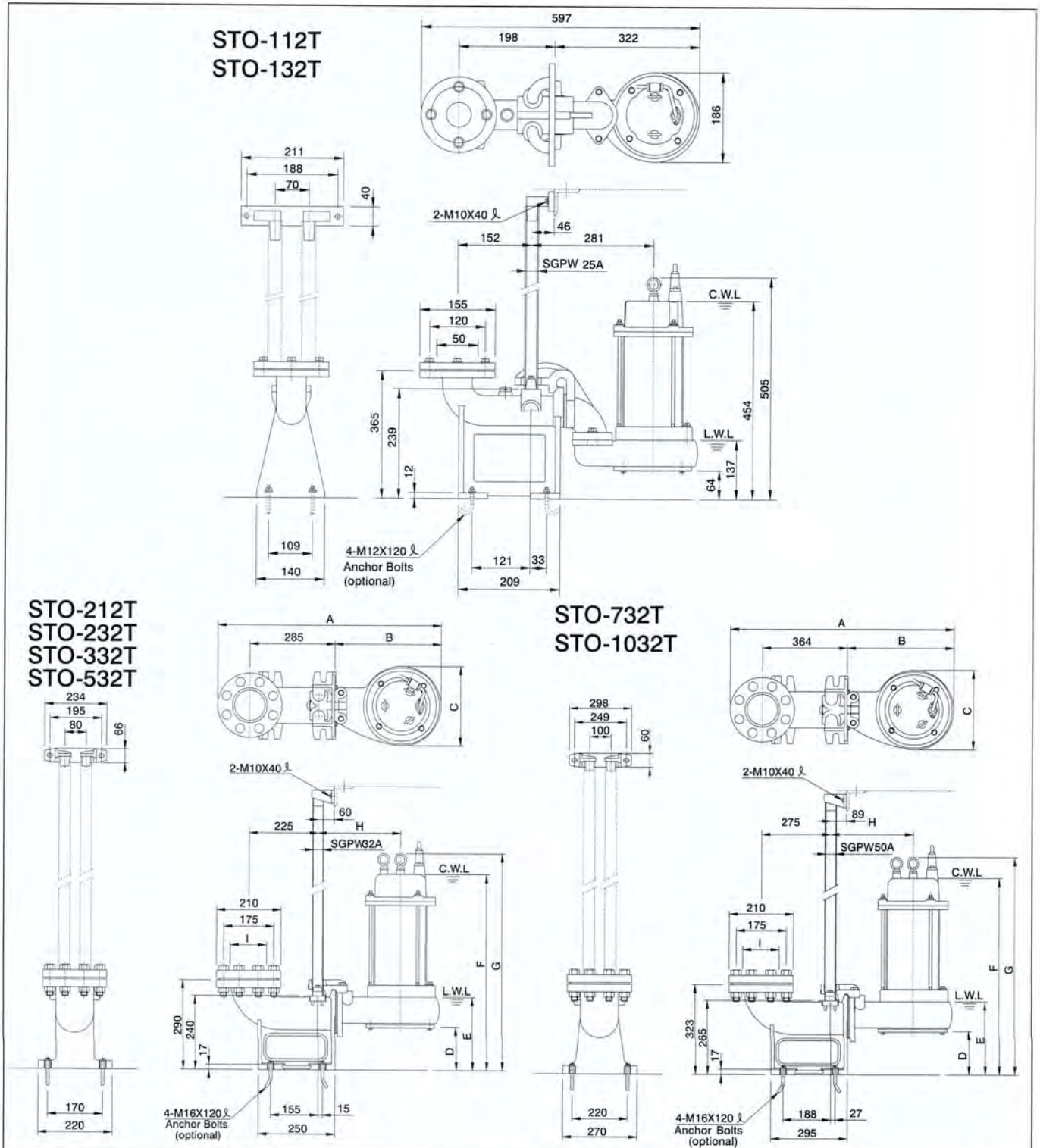


UNIT : mm

TYPE	A	B	C	D	E	F	G	H	I
STO-212	693	303	212	140	217	568	618	256	Ø80
STO-232	693	303	212	140	217	467	515	256	Ø80
STO-332	755	365	311	116	282	633	721	270	Ø80(Ø100)
STO-532	755	365	311	116	282	658	746	270	Ø100(Ø80)
STO-732	899	430	385	116	274	721	803	330	Ø100
STO-1032	899	430	385	116	274	742	824	330	Ø100
STO-1532	1019	623	491	215	416	894	976	427	Ø150
STO-2032	1019	623	491	215	416	924	1006	427	Ø150

STO-T 自動著脫幫浦外型尺寸圖 DIMENSIONS

C.W.L. : Continuous running Water Level 連續運轉水位
 L.W.L. : Lowest running Water Level 運轉最低水位

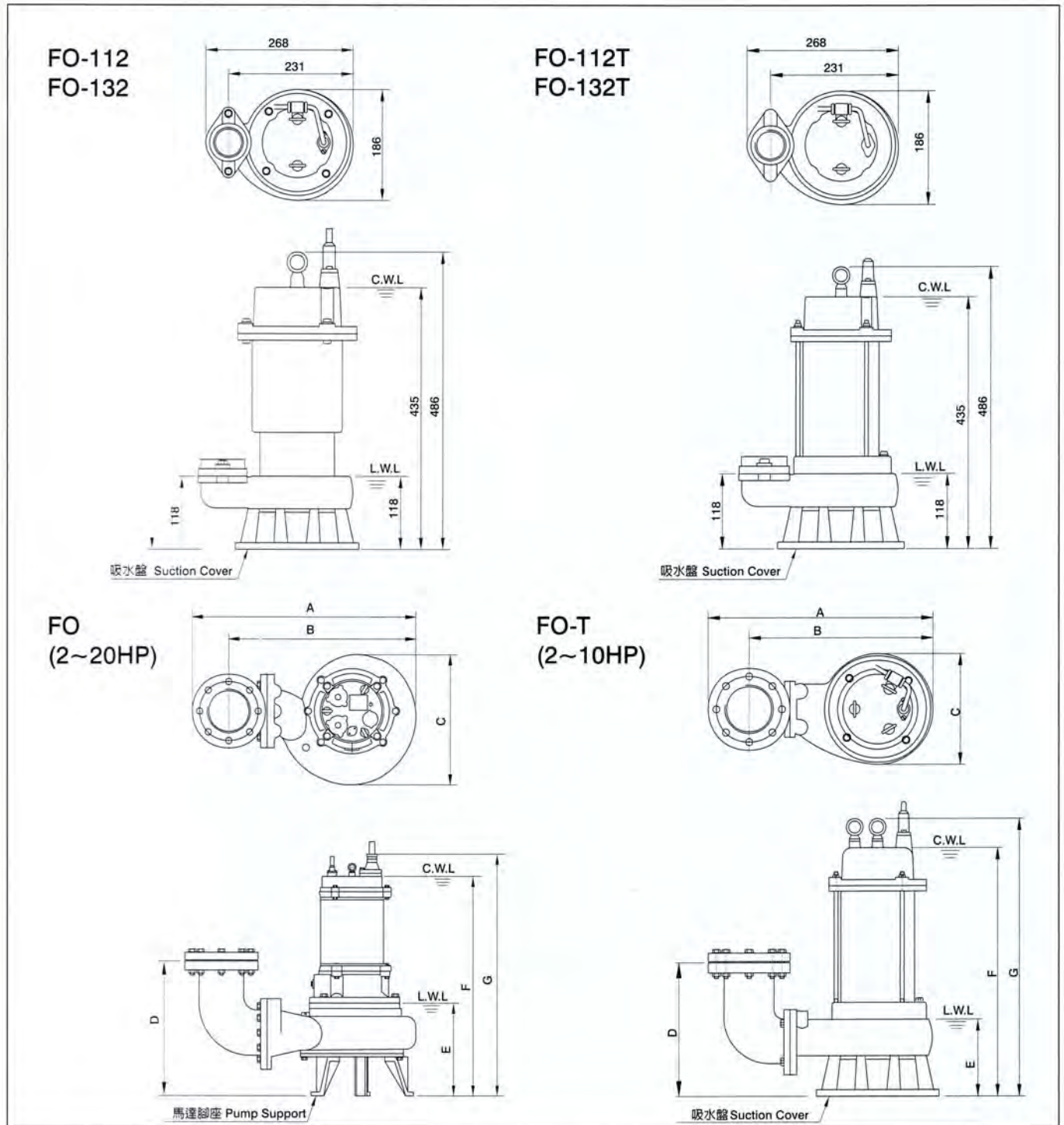


UNIT : mm

TYPE	A	B	C	D	E	F	G	H	I
STO-212T	693	303	212	140	217	568	618	256	Ø80
STO-232T	693	303	212	140	217	467	515	256	Ø80
STO-332T	693	303	212	140	217	487	544	256	Ø80(Ø100)
STO-532T	693	303	212	140	217	507	574	256	Ø100(Ø80)
STO-732T	803	334	254	148	229	595	663	265	Ø100
STO-1032T	803	334	254	148	229	595	663	265	Ø100

■ FO · FO-T 設備廢水幫浦外型尺寸圖 DIMENSIONS

C.W.L. : Continuous running Water Level 連續運轉水位
 L.W.L. : Lowest running Water Level 運轉最低水位



UNIT : mm

TYPE	A	B	C	D	E	F	G
FO-212	518	413	212	265	122	523	473
FO-232	518	413	212	265	122	420	372
FO-332	580	475	311	177	276	715	627
FO-532	580	475	311	177	276	740	652
FO-732	681	576	385	188	288	797	715
FO-1032	681	576	385	188	288	818	736
FO-1532	880	740	491	200	311	817	789
FO-2032	880	740	491	200	311	901	819

TYPE	A	B	C	D	E	F	G
FO-212T	518	413	212	265	122	523	473
FO-232T	518	413	212	265	122	420	372
FO-332T	518	413	212	265	122	449	392
FO-532T	518	413	212	265	122	479	412
FO-732T	518	413	212	267	126	492	560
FO-1032T	518	413	212	267	126	492	560

你知道嗎！修附 STO-C · FO-C 沉水式切刀型幫浦
讓污物廢水池內纖維性雜物的粉碎只在一瞬間完成

Pumps Designed for Cutting Fibrous Foreign Objects to Small Pieces by Tungsten Carbide Edged Non-clog impeller

FEATURES 特點

- EPOXY Cable Sealing Base
電纜線防水(EPOXY)樹脂基座

Waterproof cable prevent water infiltration, cable ends sealed with epoxy resin, and lead wires are partially tripped off for perfect resin sealing. Triple protection for the motor against water penetration.



- Built-in Motor Protector
馬達配備電流保護開關

Every STO type are equipped with a self-reset circle thermal protector to prevent over-loading, locking of impeller, and scorch damage to the motor from phase failure.



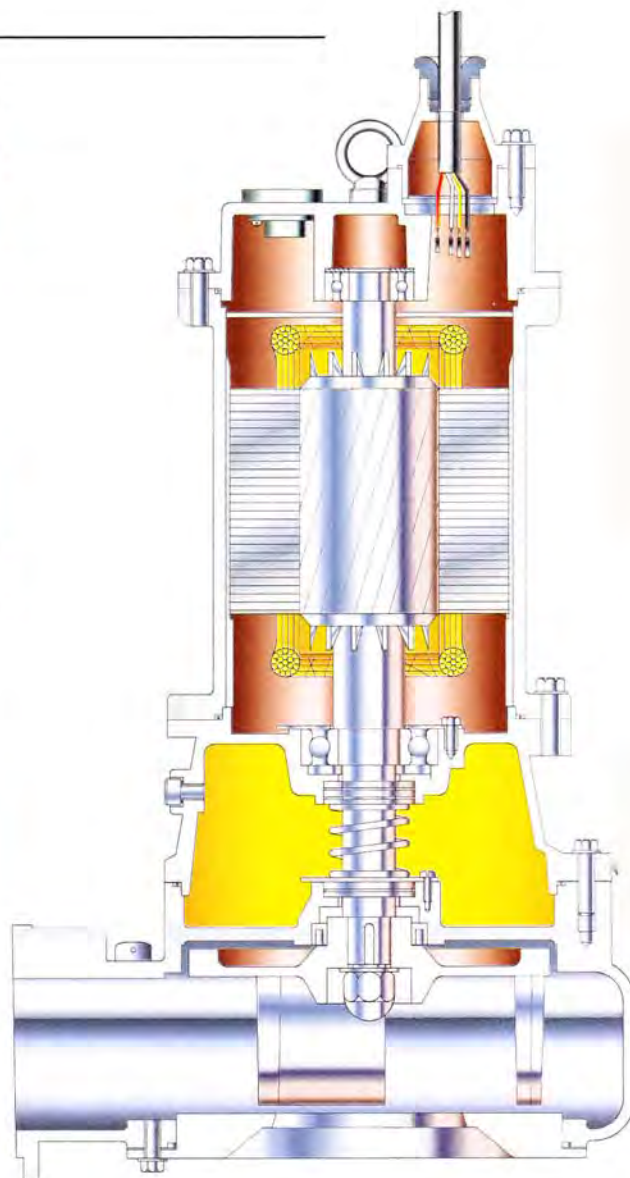
- SiC Mechanical Seal
採用矽碳鋼機械軸封

Equipped with double mechanical seals and adopted with heat-and-corrosion-resistant silicon carbide mechanical seal for preventing the motor from water infiltration.



- Cutter impeller & Special Suction cover
水葉末端採用超硬鎢碳鋼合金
吸水盤表面特殊放射型凹溝處理

A sintered tungsten carbide alloy tip is brazed onto the impeller vane and the suction cover is designed have the emission shape grooves in order to minimize cutting resistance. This "cutting mechanism" ensures materials are held for shredding in order to prevent clogging in the pump, discharge pipes and valves.



■ STO 自動著脫幫浦外型尺寸圖 DIMENSIONS

STO-C 切刀型自動著脫幫浦 AUTO-SETTER TYPE CUTTER PUMP

FO - C 切刀型設備廢水幫浦 FLOOR MOUNT TYPE CUTTER PUMP



■ SPECIFICATIONS 性能規格表

頻率	型式 TYPE		電動機 MOTOR						抽水機 PUMP						葉輪 IMPELLER		電纜		重量	
			馬力 Power		電壓 Volt	相數 Phase	迴轉數 SS Revolution	起動方式 Starting	口徑 BORE		標準揚程 Total Head	標準水量 Flow	最高揚程 Max. Head	最大水量 Max. Flow	通過粒徑 Solid Passage	No. of Vanes	CABLE	WEIGHT(kg)		
Hz	Auto-setter	Floor mount	KW	HP	V	PH	R.P.M.	method	Inch	mm	M	m ³ /min	M	m ³ /min	mm		mm ² xm	Auto-setter	Floor mount	
50	STO-332C	FO-332C	2.2	3	200-240	3	1500	D.O.L.	3"	80	8	0.5	16	1.4	40 x 50	1	3.5 ² x 10	115	97	
	STO-532C	FO-532C	3.7	5	200-480	3	1500	D.O.L.	4"	100	8	1.0	18	2.0	53 x 50	1	3.5 ² x 10	122	97	
60	STO-332C	FO-332C	2.2	3	200-240	3	1800	D.O.L.	3"	80	10	0.5	16	1.4	40 x 47	1	3.5 ² x 10	115	97	
	STO-532C	FO-532C	3.7	5	200-480	3	1800	D.O.L.	4"	100	10	1.0	18	2.0	53 x 47	1	3.5 ² x 10	122	97	

■ STANDARD ACCESSORIES 標準配件

for STO-C Type

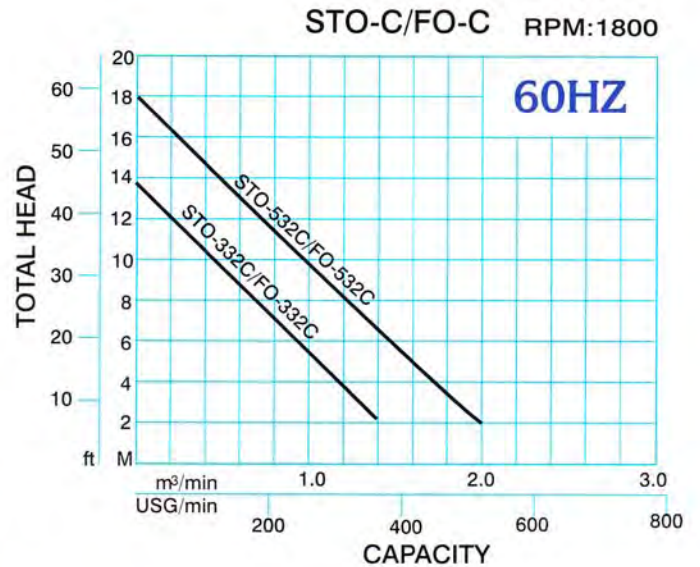
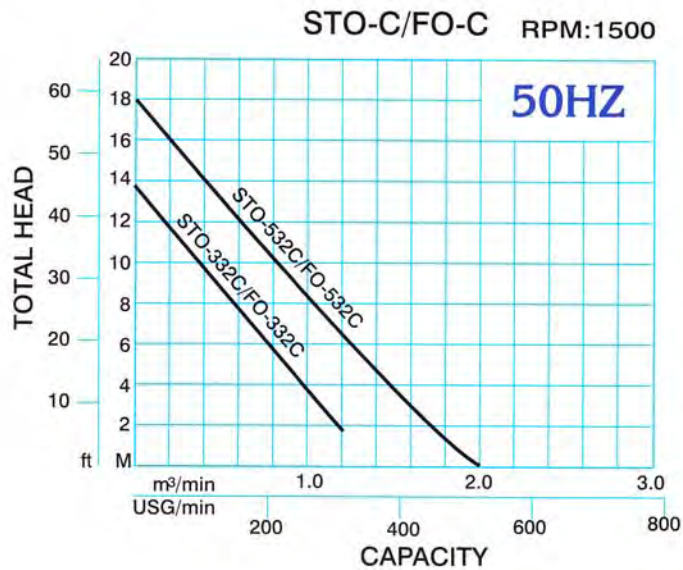
- Upper Guide Support 固定桿托架.....1set
- Guide Connector 脫架固定鉤.....1set
- Lifting Chain (with shackle) 吊用鍊條.....1pc
- Duck Foot Bend 脫架本座.....1set

for FO-C Type

- Connecting Elbow 彎管.....1set

Parts no	Description		Discharge bore			Material
			3"(80mm)	4"(100mm)	6"(150mm)	
126	Upper Guide Support	固定桿托架	2 kg	4.5 kg	6 kg	Cast iron
125	Guide Connector	脫架固定鉤	3.6 kg	4.5 kg	9.5 kg	Cast iron
97	Lifting Chain (with shackle)	吊用鍊條	4 m	4 m	4 m	Structure steel
129	Duck Foot Bend	脫架本座	30 kg	33 kg	64 kg	Cast iron
143	Connecting Elbow	彎管	15 kg	15 kg	30 kg	Cast iron

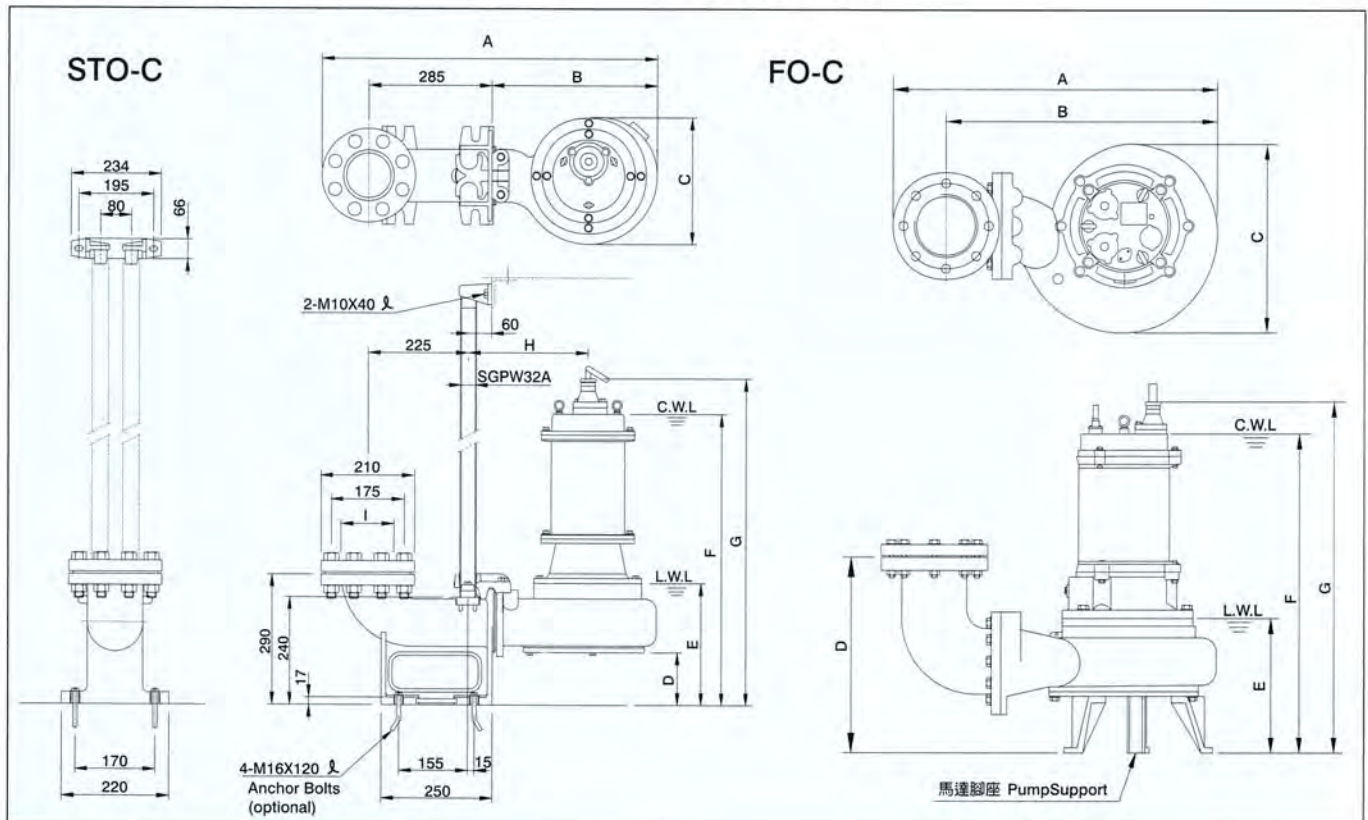
■ STO-C · FO-C PERFORMANCE 性能曲線圖



■ STO-T 自動著脫幫浦外型尺寸圖 DIMENSIONS

C.W.L. : Continuous running Water Level 連續運轉水位

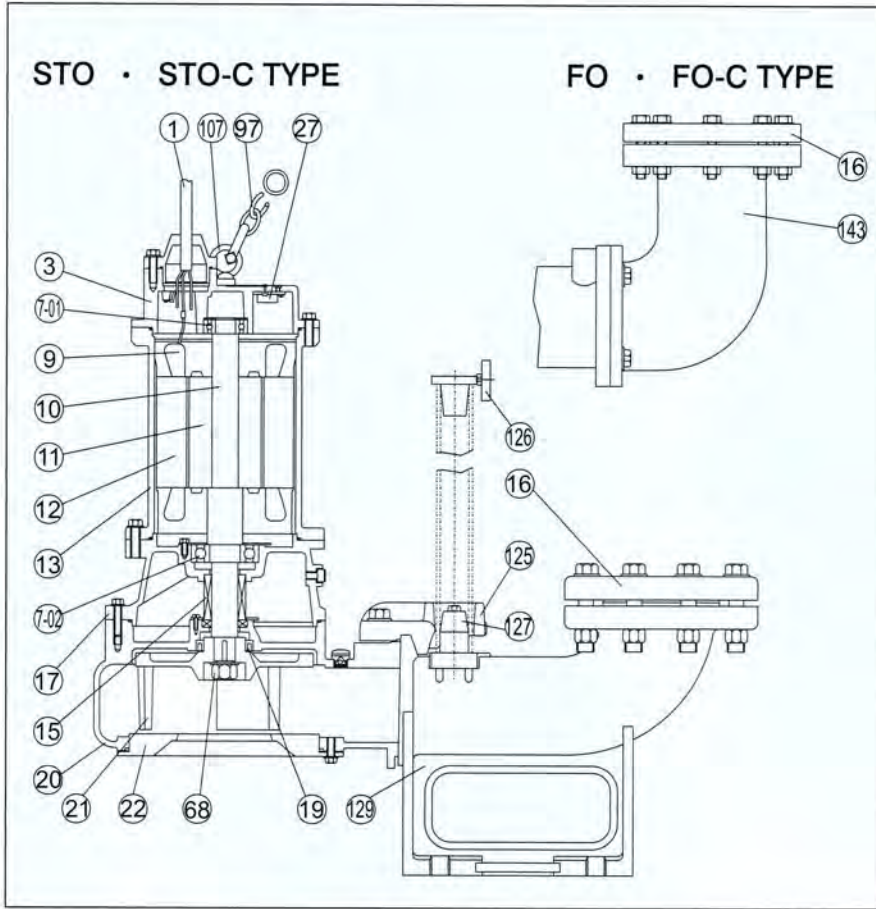
L.W.L. : Lowest running Water Level 運轉最低水位



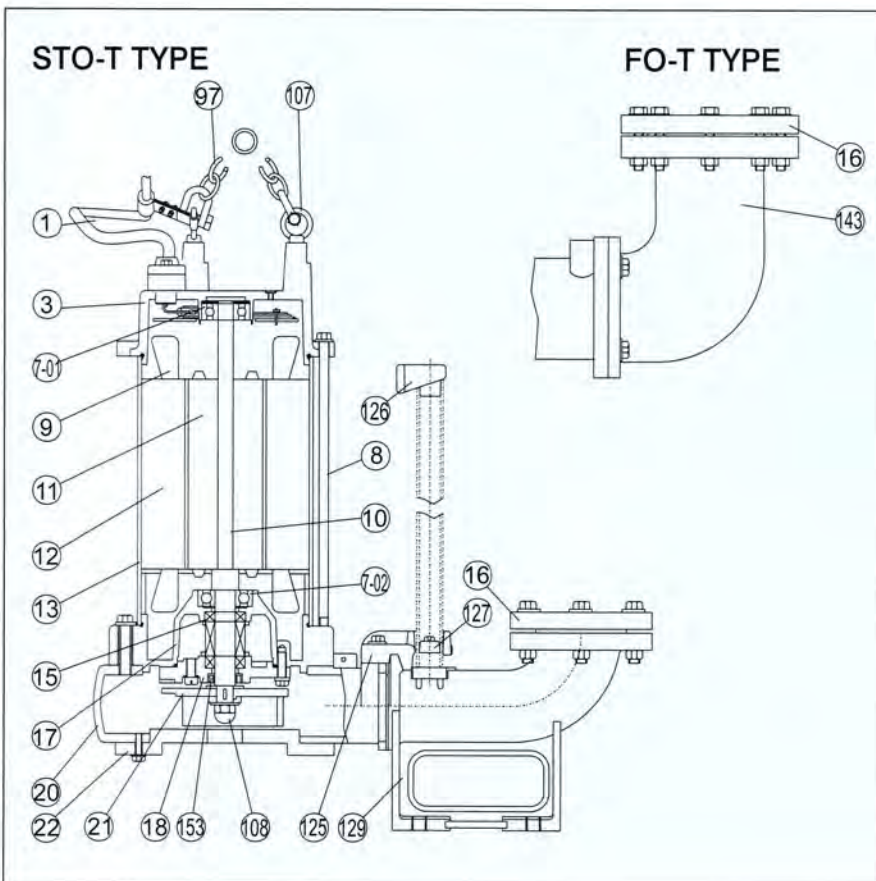
UNIT : mm

TYPE	A	B	C	D	E	F	G	H	I
STO-332C	755	365	311	116	282	633	721	270	Ø80(Ø100)
STO-532C	755	365	311	116	282	658	746	270	Ø100(Ø80)

TYPE	A	B	C	D	E	F	G
FO-332C	580	475	311	177	276	715	627
FO-532C	580	475	311	177	276	740	652



NO	NAME OF PARTS	中文名稱	MATERIAL
1	Cable	電機線	V.C.T.
3	Motor head cover	馬達上蓋	Cast iron
7-01	Upper ball bearing	軸承	
7-02	Lower ball bearing	軸承	
9	Coil	馬達線圈	
10	Shaft	主軸	SUS 304
11	Rotor	轉子	
12	Stator	靜子	
13	Motor casing	馬達中框	Cast iron
15	Mechanical seal	機械軸封	Silicon Carbide
16	Flange	法蘭透	Cast iron
17	Motor lower cover	馬達下蓋	Cast iron
19	Oil seal	油封	
20	Pump casing	水機	Cast iron
21	Impeller (for STO)	水葉	Cast iron
21	Impeller (for STO-C)	切刀型水葉 with a sintered tungsten bide	Cast iron alloy tip
22	Suction cover	吸水盤	Cast iron
27	Thermal protector	電流保護開關	
68	Nut	螺帽	SUS 304
97	Lifting chain	鍊條	Steel
107	Bolt	環首螺栓	SUS 304
125	Guide connector	脫架固定鉤	Cast iron
126	Upper guide support	固定桿托架	Cast iron
127	Lower guide support	固定桿托塊	Cast iron
129	Duck foot bend	脫架本座	Cast iron
143	Connecting elbow	彎管	Cast iron



NO	NAME OF PARTS	中文名稱	MATERIAL
1	Cable	電機線	V.C.T.
3	Motor head cover	馬達上蓋	Cast iron
7-01	Upper ball bearing	軸承	
7-02	Lower ball bearing	軸承	
8	Bolt	長螺絲	SUS 304
9	Coil	馬達線圈	
10	Shaft	主軸	SUS 304
11	Rotor	轉子	
12	Stator	靜子	
13	Motor casing	馬達中框	SUS 304
15	Mechanical seal	機械軸封	Silicon Carbide
16	Flange	法蘭透	Cast iron
17	Motor lower cover	馬達下蓋	Cast iron
18	Mechanical seal cover	細日盤	Cast iron
19	Oil seal	油封	
20	Pump casing	水機	Cast iron
21	Impeller (for STO)	水葉	Cast iron
22	Suction cover	吸水盤	Cast iron
27	Thermal protector	電流保護開關	
97	Lifting chain	鍊條	Steel
107	Bolt	環首螺栓	SUS 304
108	Nut	袋帽	Bronze
125	Guide connector	脫架固定鉤	Cast iron
126	Upper guide support	固定桿托架	Cast iron
127	Lower guide support	固定桿托塊	Cast iron
129	Duck foot bend	脫架本座	Cast iron
143	Connecting elbow	彎管	Cast iron

■ FLOAT LEVEL CONTROL PANEL-only for sewage pump use 污廢水幫浦浮球開關控制箱

SB1 Type: 單台幫浦運轉控制

Automatic Operation for only one pump use.

SB2 Type: 兩台幫浦交替運轉控制

Automatic Alternate Operation for two pump use.

SB3 Type: 兩台幫浦交替併列運轉

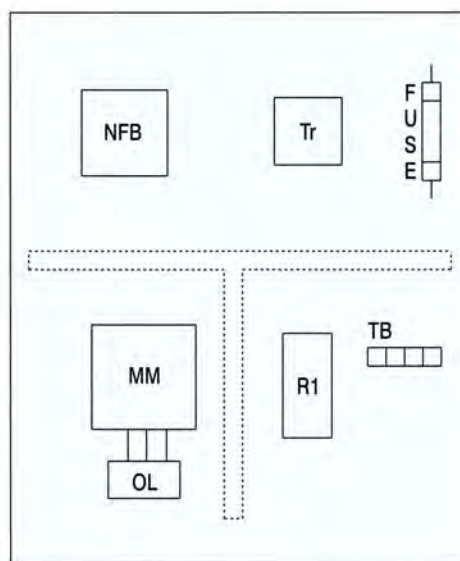
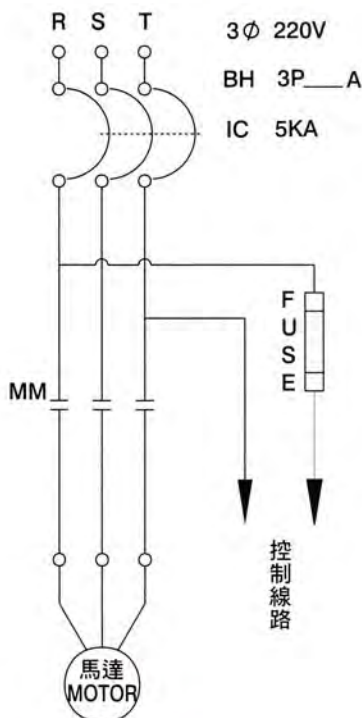
Automatic Alternate & Simultaneous Operation for two pump use.



● ELECTRICAL WIRING SCHEMATIC DIAGRAM 外接端子台接線圖

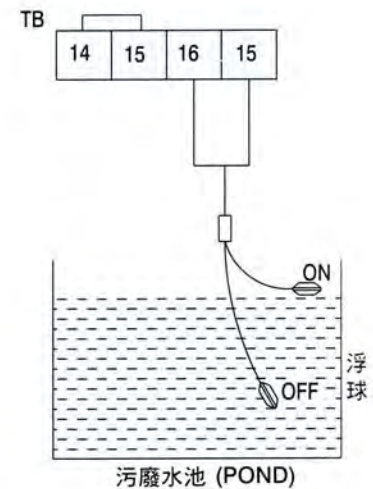
SB1 Type: 單台幫浦運轉控制

Automatic Operation for only single pump use.



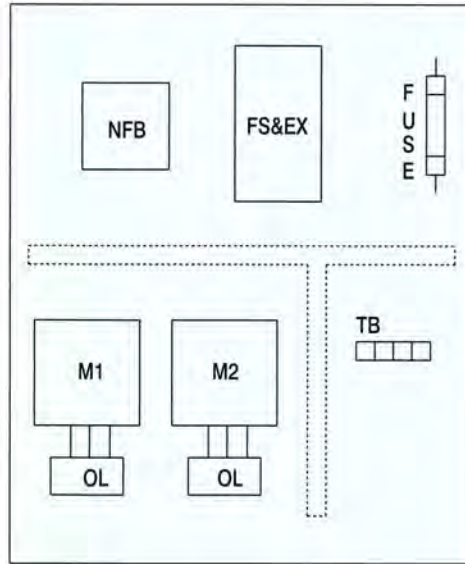
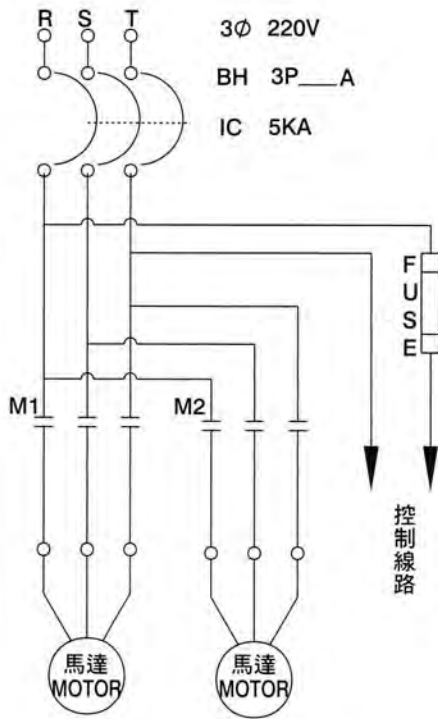
Control Panel 控制箱內部位置圖

Magnetic Float Level Switch
磁鐵式浮球開關
(For SHOWFOU Submersible pump use only) (修附專用)



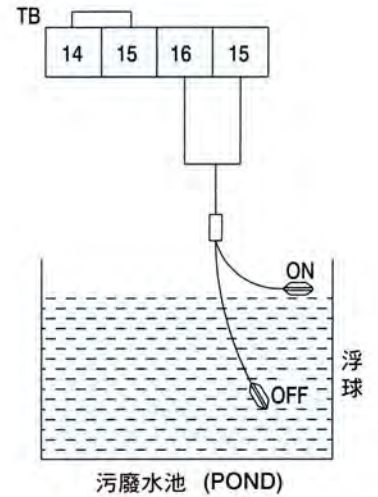
SB1 Type:磁鐵式浮球接線將14 15 連接16,15接上電纜線二端如圖

SB2 Type: 兩台幫浦交替運轉控制 Automatic Alternate Operation for two pump use.



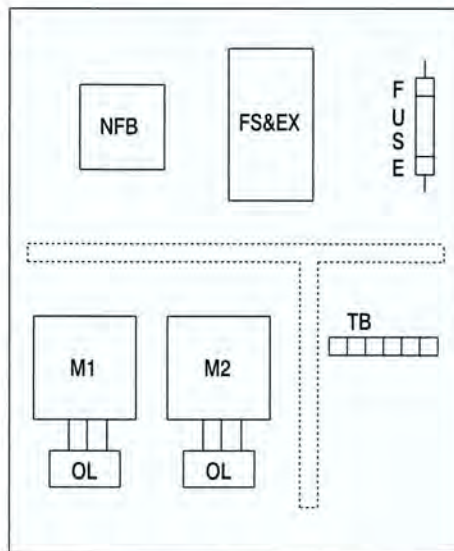
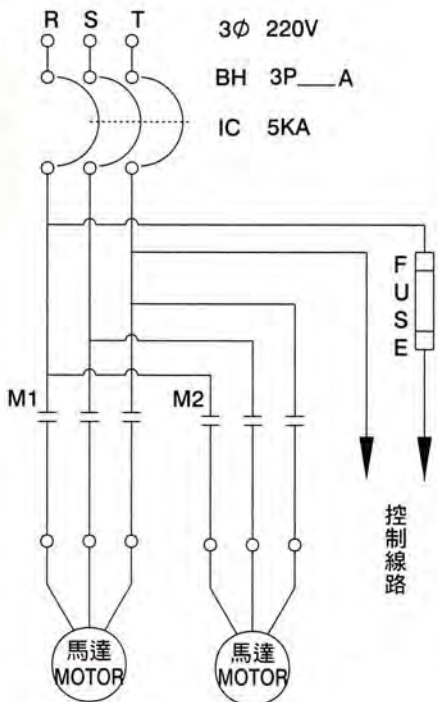
Control Panel 控制箱內部位置圖

Magnetic Float Level Switch
磁鐵式浮球開關
(For SHOWFOU Submersible pump use only) (修附專用)



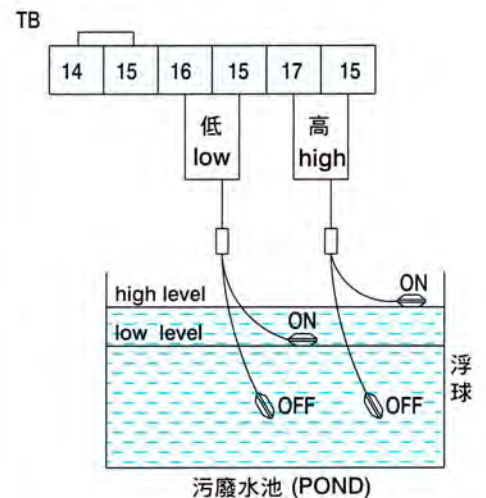
SB1 Type: 磁鐵式浮球接線將 14 15 連接 16, 15 接上電纜線二端如圖

SB3 Type: 兩台幫浦交替併列運轉 Automatic Alternate & Simultaneous Operation for two pump use.



Control Panel 控制箱內部位置圖

Magnetic Float Level Switch
磁鐵式浮球開關
(For SHOWFOU Submersible pump use only) (修附專用)



SB1 Type: 磁鐵式浮球接線將 14 15 連接 16, 15/17, 15 接上各二條電纜線二端如圖

全國最大沉水幫浦製造廠 ● 採用一貫作業連線生產及電腦自動測試

The Largest Submersible Pump Manufacturer In Taiwan.

● All products are manufactured through continuous processing line & inspected by computerized test equipment.



修耐電機股份有限公司
SHOWFOU ELECTRIC MACHINE CO., LTD.

高雄縣岡山鎮(820)本工路66號
No. 66, Bengong Road, Gangshan Township,
Kaohsiung County 820, Taiwan
Tel No.: (07) 6226590
Fax No.: +886-7-6226593
e-mail: showfou@ms11.hinet.net
http ://www.showfoupump.com

PT. LUKES INDONESIA

Lindeteves Trade Center Lt UG, Blok B1 No. 6
Jalan Hayam Wuruk, Jakarta - Indonesia
Phone : 021 - 6231 7842, 628 5144
Fax : 021 - 6231 0499
email : lukes@cbn.net.id



All specifications subject to change without notice.